

# US Quattro DCS

## Digital Control Solution - Presence Detector



The US Quattro DCS is a digital (40kHz) ultrasonic technology presence detector that utilizes STEINEL's state-of-the-art ultrasonic signal processing to provide superior stable volumetric omnidirectional detection. Ultrasonic is used for best practice in design and retrofit applications where the sensor will not have a clear line of sight view of the occupants in the desired coverage area.

Lighting loads are controlled in relation to both presence detection and selectable ambient light levels with the integrated photocell to maximize energy savings. The convenient polarity insensitive data line bus enables multiple sensors, photo sensors and switches to link together providing convenient code compliant solutions. Mounting options provide for 4" square box, 4" octagon box, round 3.0 mud-ring or directly to the ceiling with quick mount spring tabs.

The Digital Control Solution (DCS) group of sensors are available in multiple technologies for the control of heating, ventilation and air conditioning as well as lighting. Time saving wireless commissioning is accomplished via Bluetooth connection from a Smart Phone or Tablet to a DCS Controller, which communicates to the sensor by the 2 wire bus.

### Applications

Typical applications are for large open areas with cubicles, work stations, conference rooms, bathrooms, storage areas with racking or applications requiring a volumetric pattern of detection.

Project Name:  
Location:

69343



65330



69198



### US Quattro DCS Specifications

Item No.	69343 US Quattro DCS
Accessories	65330 WGC wire guard cage 69198 DCS Controller
Voltage	12 - 22.5 VAC (24 mA)
Device Equivalent	12
Sensing Technology	ultrasonic (40 kHz)
Time Delay Setting	Test Mode 8 sec. Normal Mode 30 sec. - 30 min. IQ mode (automatic adjustment to the usage profile)
Light Level Setting	10 - 1000 lux / 1 - 92 fc
Environment	IP20 rated, 0°C to +40°C, 32°F to +104°F
Ultrasonic Detection Zones: (Coverage at 2.5 m / 9 ft)	presence: max. 6 x 6 m (36 sq.m.) max. 20 x 20 ft (400 sq.ft.) min. 2 x 2 (4 sq.m.) min. 6.5 x 6.5 ft (42.25 sq.ft.) radial / tangential: max. of up to 10 x 10 m (100 sq.m.) radial / tangential: max. of up to 32 x 32 ft (1000 sq.ft.)
Dimensions	4.72 x 4.72 x 2.83 in, 120 x 120 x 68 mm (LxWxD)
Warranty	5 years
Certifications	C-UL-US Listed, RoHS compliant, UL 2043 Plenum Rated, CA Energy Code compliant

### Key Features:

- Low voltage (12 - 23 V) digital sensor for use with a DCS Controller
- Omnidirectional ultrasonic (40 kHz) presence detection
- Wireless configuration via Steinel App
- Integrated photo cell for daylight harvesting
- Polarity insensitive 2 wire bus
- Mounts to a 4" square box, 4" octagon box, round 3.0 mud-ring or directly to the ceiling with quick mount spring tabs
- IQ Mode dynamically adjusts the 'ON' time delay by learning individual room occupancy

40  
kHz

Ultrasonic



20 x 20 Ft Presence  
32 x 32 Ft Max

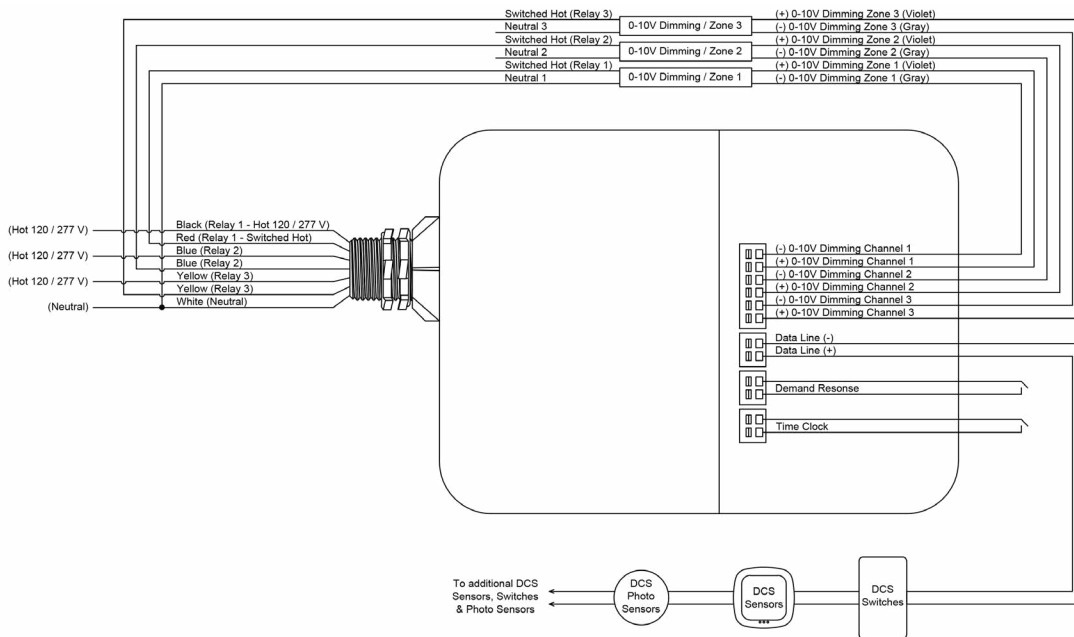


1 - 100 fc

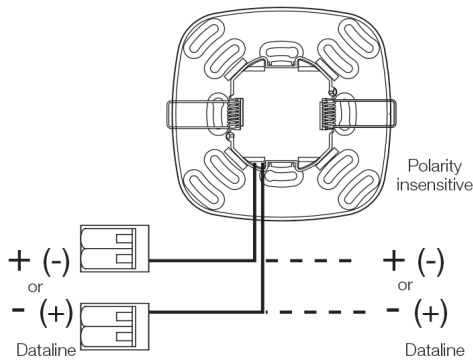


30 Sec - 30 Min

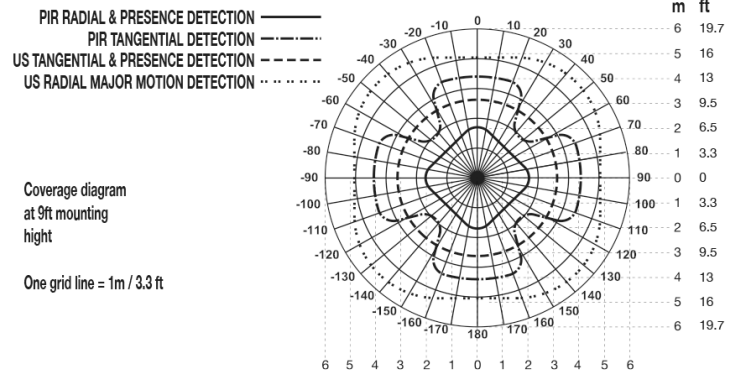
## Wiring



## Settings



## Coverage



## Mounting

